



SEA[®]
electronic opening system

Verg

Electromechanical barrier for opening up to 5 mt



Systems for barriers



- Low voltage motor for maximum safety (24V version)
- Slow down speed adjustable in opening and closing
- Device for obstacles detection and reversing. Serial Encoder
- Battery back up available in case of power failure, without the need for an additional control unit
- Mechanical limit switches
- Cathaphoresis treated and polyester painted steel box for durability. Stainless steel box available.
- Casing pre-drilled for photocells SUNSET and key switch KEY PLUS.
- New beam with light kit (optional).
Beam and spring kit depending on the required length.



Technical specifications

Specifications	Verg
Power supply	230 Vac
Motor power	90 W
Frequence of use	60%
Opening speed	2 -5 s
Operation temperature	from -20°C to +55°C
Weight	51 kg
Max beam length	5 mt
Protection class	IP 55

Internal photo

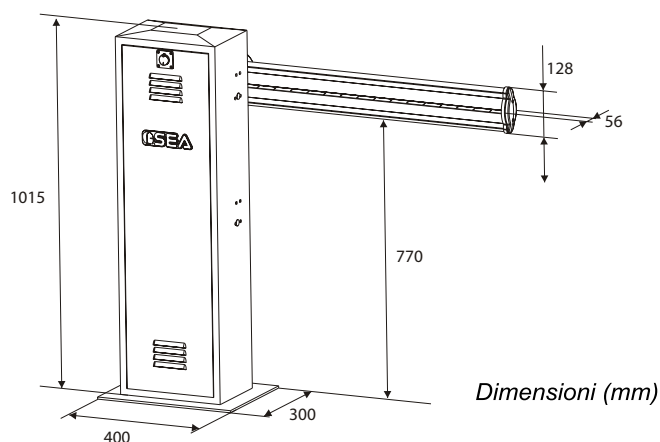


Easy releasy with key in case of power failure

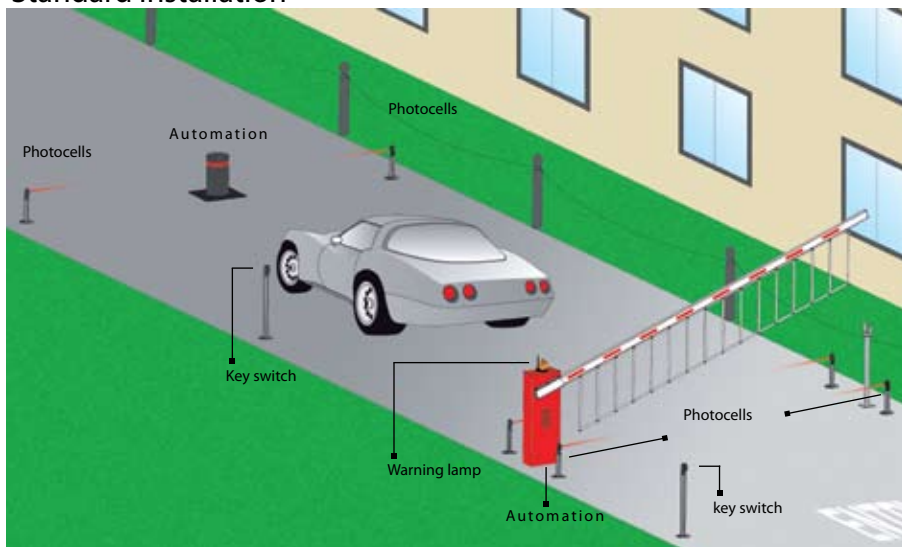


Gate 1 24V

- Administration of one 24V motor
- Automatic, semiautomatic, step-by-step 1, step by step 2
- Anti-crushing intervention sensibility adjustment
- Motor speed adjustment
- Ammeter function for obstacles
- Working times self-learning
- Auto-test on photocell
- Auto-diagnostic
- Auto-adjustment of the parameters varying with the time
- Diagnostic leds on all in-/outputs
- Warning lamp administration with pre-flashing
- Extractable connecting board
- Connector for plug in receiver SIGNAL series
- Management back up battery (optional)
- Management limit switch
- Management stop
- Connector for photocells WALL and SUNSET
- Option light / heavy gate
- Photocells in opening and closing
- Timer management
- Adjustable pause
- Pedestrian administration
- Security reverser
- Courtesy light and control lamp administration



Standard installation



Zona Industriale S. Atto (TERAMO) ITALIA
Tel. +39 0861 588341 r.a. Fax +39 0861 588344
seacom@seateam.com - www.seateam.com

SERVIZIO CLIENTI
840-000-440

